

RISE

Smart
Moving



MAXIMUM M30 SPARTACUS 200/275

BRAND NEW AUTOMATIC HYDRAULIC BOLLARDS

Formed in 2009, and one of six companies that make up Beninca Group, **RISE** are specialists in producing fixed, automatic and semi-automatic bollards. RISE products work to regulate both vehicle and people's movement, securing public, industrial and private contexts.

With continuous research and development, RISE bring to market innovative and clever solutions, all of which are 100% Italian made. The design and production are rigorously managed, with products undergoing the most extreme tests to ensure they deliver the highest level of reliability. RISE's promise is 'Smart Moving' and this is delivered with new and advanced technology, combined with the highest build quality and materials.



Bollard Applications

Bollards are commonly installed to control vehicle access, working to protect both people and places, such as pedestrian zones, car parks and industrial estates. Bollards can also provide vital perimeter security in sensitive and high security locations, such as banks, police stations and military bases.

The two latest additions to join the RISE products range are the brand-new **SPARTACUS** and the **MAXIMUM M30** bollards.



TRAFFIC CONTROL



PUBLIC



PRIVATE



PROTECTION

SPARTACUS

Automatic hydraulic bollard 230V (AC)

Spartacus 200 Ø 200mm | H 600 – 800mm | Thickness 6mm

- Available as either 600 or 800mm tall, with cylinder thickness of 6mm.
- Graphite Black painted finish or brushed AISI316 stainless steel.
- Cylinder with built-in LED lights.
- Control panel can manage 2 bollards at the same time.
- Foundation case complies with the EN124 (25T) regulation.
- In the event of a power failure, the bollard will remain in the raised position with a physical manual release. AL (Automatic Lowering) versions available.
- Heating for the foundation case, a buzzer and a pressure switch for obstacle detection are available as accessories.
- Personalised manual release key available for high security sites.

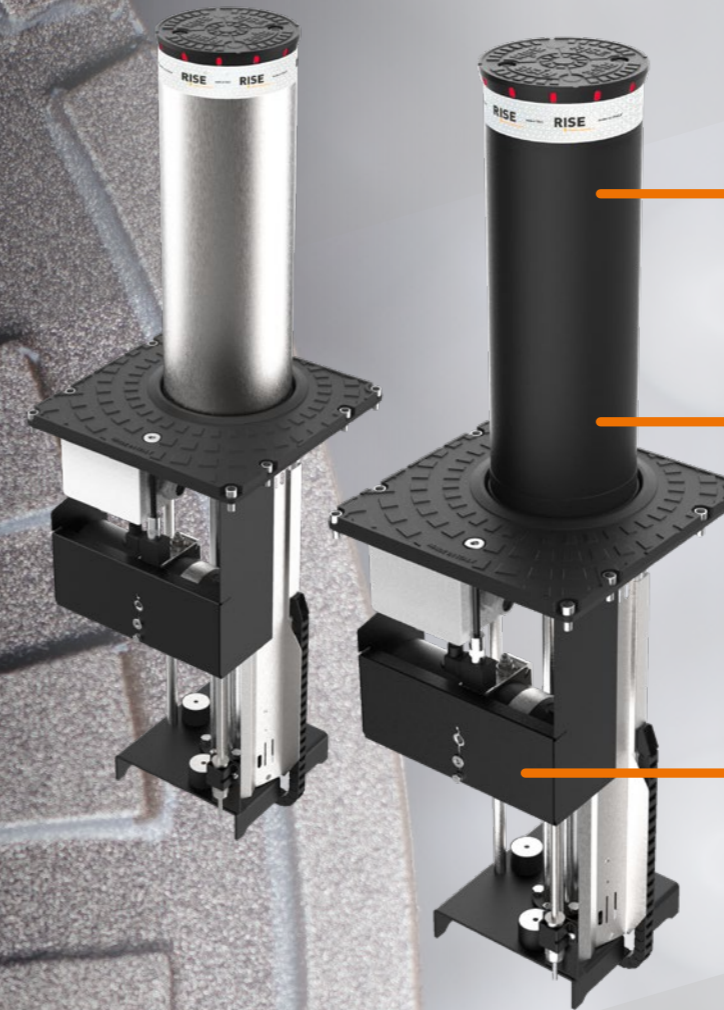
Spartacus 275 Ø 275mm | H 600 – 800mm | Thickness 6 – 10mm

Same specification as the 200mm diameter model, plus the following:

- Available as either 600 or 800mm tall, with standard cylinder thickness of 6mm. However the SPARTACUS 275 model has the 'R' version available with 10mm cylinder thickness.
- Foundation case complies with the EN124 (40T) regulation.

Choose SPARTACUS

With a supreme hydraulic performance that has been rigorously tested up to 3500 cycles per day, the SPARTACUS bollard has one of the highest specifications on the market. A collection of 12 bollards of multiple heights and diameters, with fixed and semi-automatic options also available, the SPARTACUS is everything you need.



Supreme hydraulic performance.

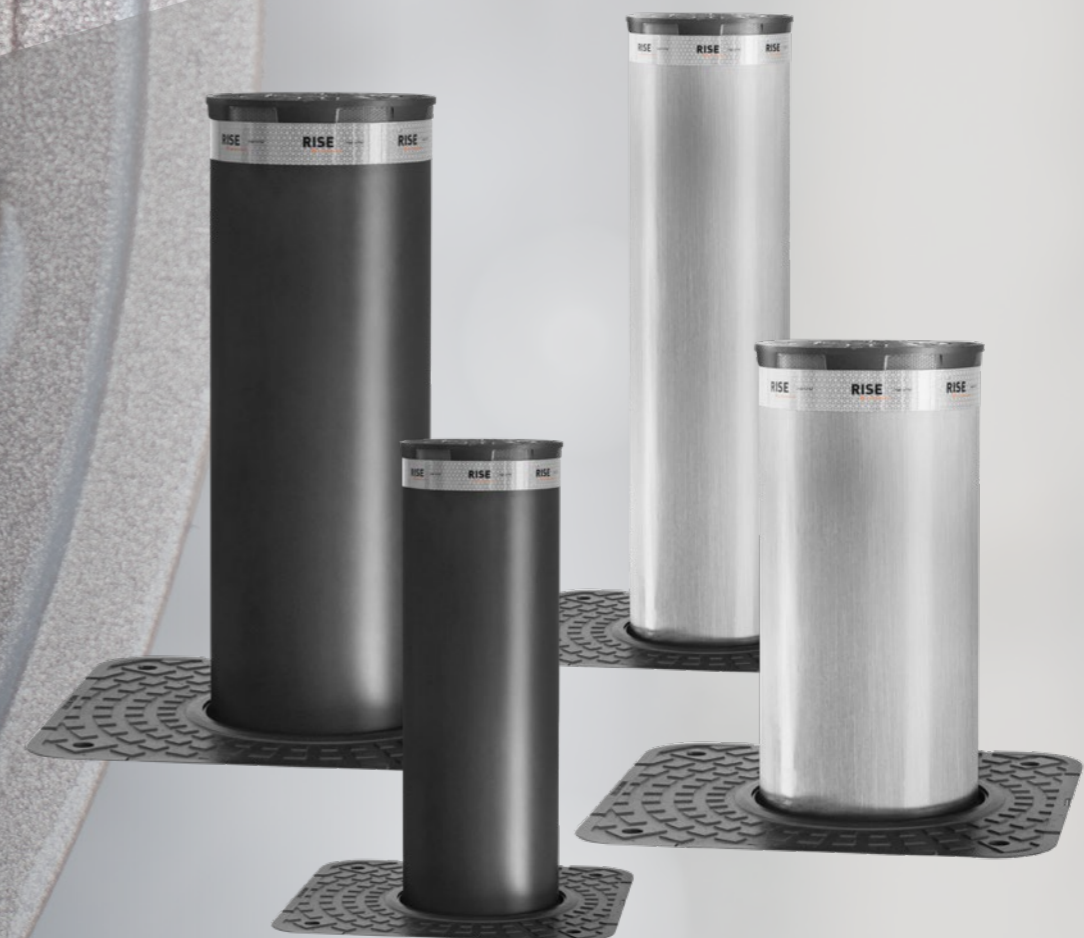
Rigorously tested for up to 3,500 cycles per day.

Fast raising and lowering speeds.

(3-4 seconds)

Independent hydraulic pump.

Hydraulic pump laterally positioned inside the foundation case in order to avoid any damage in the event of an impact. Also ideal to facilitate simple maintenance.



MAXIMUM M30

Crash Tested Bollard

Automatic hydraulic counter terrorism bollard

- Available in painted steel or electropolished AISI 316 marine grade stainless steel.
- 316SS stainless steel version has very high corrosion resistance, guaranteeing protection from rust, weather and chemicals.
- Cylinder with built-in LED lights.
- The control panel can manage 2 bollards at the same time.
- Foundation case complying with the EN124 (40T) regulation.
- Independent hydraulic pump for each bollard, laterally positioned inside the foundation case to avoid any damage in the event of an impact. Also ideal to facilitate maintenance.
- In the event of a power failure, the bollard will remain in the raised position with a physical manual release.
- Heating for the foundation case and an audible buzzer are available as accessories.
- E.F.O (Emergency Fast Operation) is available upon request, allowing fast raising in 1.5 seconds for high security purposes.

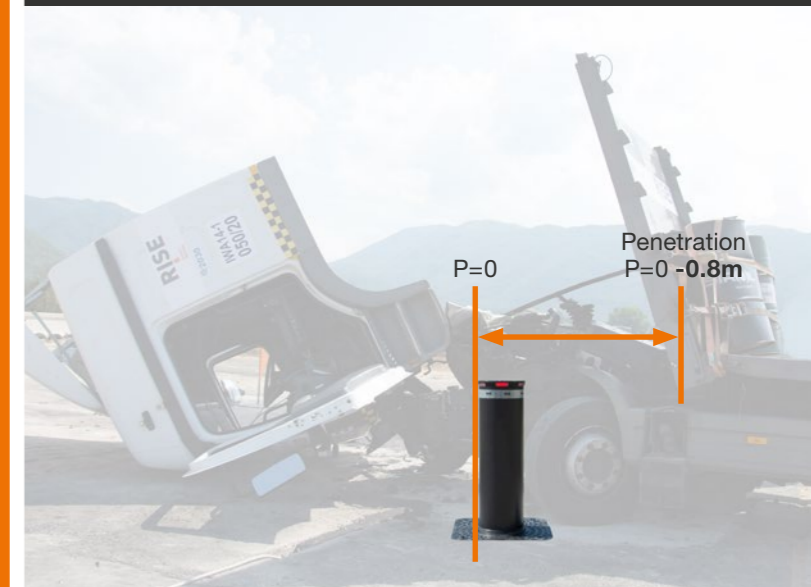
“Vehicles continue to be used to cause maximum damage or casualties by terrorists globally, so this new crash tested bollard developed by RISE is a major advance on previous measures to mitigate this threat.

I recommend the use of these advanced bollards to mitigate the threat from terrorists who use vehicles as weapons.”

Richard Walton

Former Head of the Metropolitan Police Counter Terrorism Command

Superb impact penetration test result



UNRIVALLED PROTECTION

UNDER THE MOST EXTREME MEASURES



7500 KG VEHICLE IMPACT

TESTED WITH VEHICLE TRAVELLING AT 48 KM/H



OUTSTANDING CERTIFICATIONS

SECURED BY WORLDWIDE APPROVED BODIES



IDEAL SOLUTION

FOR HIGH SECURITY AND SENSITIVE LOCATIONS

APPROVED CERTIFICATIONS

IWA 14-1:2013 V/7200 [N3C] /48/90: (-0.8) PAS68:2013 V/7500 [N3] /48/90: -0.5 / ASTM F2656 Rating C730/7200 - P1 (-0.8)



PAS68:2013 V/7500 [N3] /48/90: -0.5



IWA 14-1:2013 V/7200 [N3C] /48/90: -0.8



ASTM INTERNATIONAL
ASTM F2656 Rating
C730/7200 - P1 (-0.8)

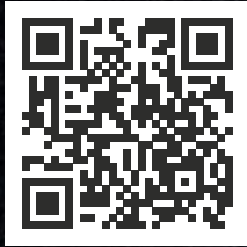


Watch the impressive crash test





Learn more



01488 658 276



info@beninca.co.uk



beninca.co.uk

RISE

Smart
Moving

BENINCA
GROUP

HI
MOTIONS
OPENING SOLUTIONS

CAB
MORE THAN AUTOMATION

SAVE YOUR ENERGY
BYOU

myone